

## Leveling Feet

**Stainless Steel, with Fixing Lug, Drop Shape**

### SPECIFICATION

#### Type (Base)

- Type **DO**: Without rubber pad
- Type **D1**: With rubber pad, clipped on, black
- Type **D3**: With rubber pad, vulcanized, black

#### Version (Screw)

- Version **S**: Without nut, external hex at the bottom
- Version **SK**: With nut, external hex at the bottom
- Version **T**: Without nut, wrench flat at the bottom
- Version **TK**: With nut, wrench flat at the bottom

Base plate

Stainless steel

- AISI 316 L
- Plain, ground

Threaded stem

Stainless steel AISI 316 L

Hex nut ISO 4032

Stainless steel

Rubber cap

- Clipped on
- Black, TPE (Santoprene®)
- ≈ 80 Shore A

Rubber underlay

- Vulcanized
- Black, NBR (Perbunan®)
- 70±5 Shore A

### INFORMATION

Leveling feet GN 45 are for use in aggressive environments. The range of combinations of base plates and adjustable spindle versions allows these leveling feet to be used in every situation.

The leveling feet can be screwed to the mounting surface use the fixing lug, which prevents lateral shifting. Moreover, the types with the rubber underlay protect sensitive surfaces.

The leveling feet are supplied fully assembled and are not removable.

### TECHNICAL INFORMATION

- Plastic Characteristics (see page A2)
- Stainless Steel Characteristics (see page A26)



### LOAD RATING OF LEVELING FEET

#### Information

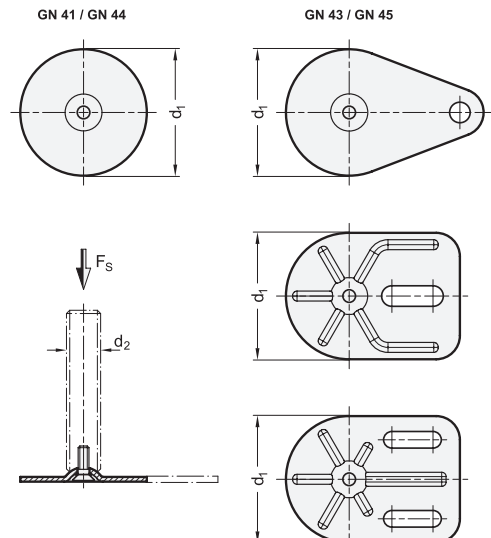
The static load bearing capacity given in the table rests on a test series in which the load has been applied perpendicular to the base plate. For the values given in the table, the strain relief may result in minor deformations of the base plate.

Bending and buckling stress which often occurs in practice results in a lower load bearing capacity of the adjustment spindle and may have to be taken into account.

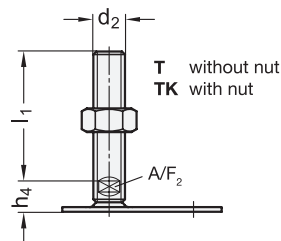
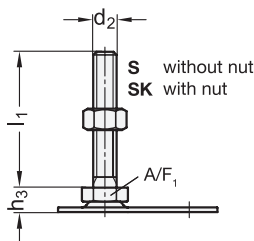
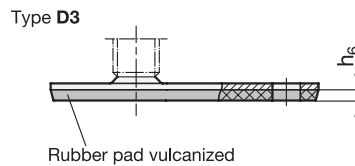
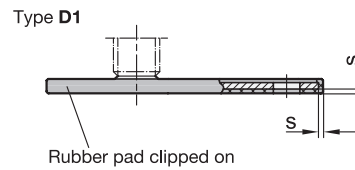
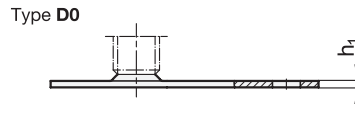
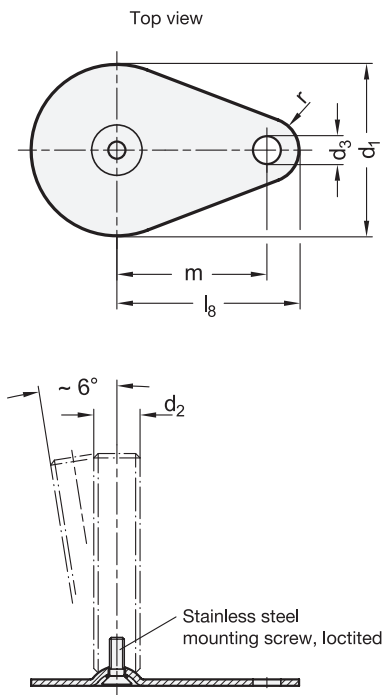
Also, the spindle strength is assumed to be  $\geq 500 \text{ N/mm}^2$ .

The details given on strength are nonbinding guide values without any liability. In general, they do not constitute a warranty of quality.

The user must determine from case to case if a product is suitable for the intended purpose or use. Environmental factors may influence the stated values.



Versions of threaded stem	
<p><b>S / SK:</b> External hex at the bottom at <math>d_2</math> M 8, M 10, M 12</p>	<p><b>T / TK:</b> Wrench flat at the bottom at <math>d_2</math> M 16, M 20, M 24</p>




11  
Levelling elements

\* Complete with  
**S** without nut      **SK** with nut

### GN 45-S/SK

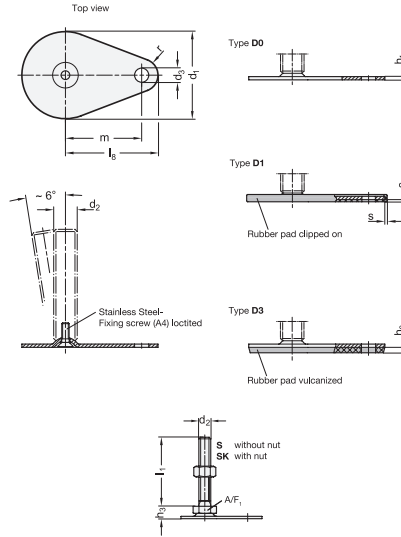
**STAINLESS STEEL**

Description	d1	d2	l1	d3	h1	h3	h6	l8	m	r	s	A/F1	Static Load in kN	
GN 45-50-M8-40-D0-*	50	M 8	40	13	2.5	11	-	60	45	15	-	17	8	102
GN 45-50-M8-40-D1-*	50	M 8	40	13	2.5	11	-	60	45	15	2	17	8	111
GN 45-50-M8-40-D3-*	50	M 8	40	13	2.5	11	4	60	45	15	-	17	8	115
GN 45-50-M8-50-D0-*	50	M 8	50	13	2.5	11	-	60	45	15	-	17	8	106
GN 45-50-M8-50-D1-*	50	M 8	50	13	2.5	11	-	60	45	15	2	17	8	115
GN 45-50-M8-50-D3-*	50	M 8	50	13	2.5	11	4	60	45	15	-	17	8	118
GN 45-50-M8-63-D0-*	50	M 8	63	13	2.5	11	-	60	45	15	-	17	8	109
GN 45-50-M8-63-D1-*	50	M 8	63	13	2.5	11	-	60	45	15	2	17	8	118
GN 45-50-M8-63-D3-*	50	M 8	63	13	2.5	11	4	60	45	15	-	17	8	122
GN 45-50-M10-50-D0-*	50	M 10	50	13	2.5	11	-	60	45	15	-	17	14	100
GN 45-50-M10-50-D1-*	50	M 10	50	13	2.5	11	-	60	45	15	2	17	14	123
GN 45-50-M10-50-D3-*	50	M 10	50	13	2.5	11	4	60	45	15	-	17	14	127
GN 45-50-M10-60-D0-*	50	M 10	60	13	2.5	11	-	60	45	15	-	17	14	119
GN 45-50-M10-60-D1-*	50	M 10	60	13	2.5	11	-	60	45	15	2	17	14	128
GN 45-50-M10-60-D3-*	50	M 10	60	13	2.5	11	4	60	45	15	-	17	14	131
GN 45-50-M10-80-D0-*	50	M 10	80	13	2.5	11	-	60	45	15	-	17	14	129
GN 45-50-M10-80-D1-*	50	M 10	80	13	2.5	11	-	60	45	15	2	17	14	138
GN 45-50-M10-80-D3-*	50	M 10	80	13	2.5	11	4	60	45	15	-	17	14	141
GN 45-50-M10-100-D0-*	50	M 10	100	13	2.5	11	-	60	45	15	-	17	14	139
GN 45-50-M10-100-D1-*	50	M 10	100	13	2.5	11	-	60	45	15	2	17	14	156
GN 45-50-M10-100-D3-*	50	M 10	100	13	2.5	11	4	60	45	15	-	17	14	151
GN 45-50-M12-60-D0-*	50	M 12	60	13	2.5	11	-	60	45	15	-	17	14	144
GN 45-50-M12-60-D1-*	50	M 12	60	13	2.5	11	-	60	45	15	2	17	14	141
GN 45-50-M12-60-D3-*	50	M 12	60	13	2.5	11	4	60	45	15	-	17	14	144
GN 45-50-M12-80-D0-*	50	M 12	80	13	2.5	11	-	60	45	15	-	17	14	159
GN 45-50-M12-80-D1-*	50	M 12	80	13	2.5	11	-	60	45	15	2	17	14	155
GN 45-50-M12-80-D3-*	50	M 12	80	13	2.5	11	4	60	45	15	-	17	14	159
GN 45-50-M12-100-D0-*	50	M 12	100	13	2.5	11	-	60	45	15	-	17	14	173
GN 45-50-M12-100-D1-*	50	M 12	100	13	2.5	11	-	60	45	15	2	17	14	169
GN 45-50-M12-100-D3-*	50	M 12	100	13	2.5	11	4	60	45	15	-	17	14	173
GN 45-60-M16-200-D0-*	60	M 16	200	13	2.5	17	-	65	50	15	2	12	14	372
GN 45-60-M16-200-D1-*	60	M 16	200	13	2.5	17	-	65	50	15	2	12	14	384
GN 45-60-M16-200-D3-*	60	M 16	200	13	2.5	17	4.5	65	50	15	-	12	14	392
GN 45-60-M16-250-D0-*	60	M 16	250	13	2.5	17	-	65	50	15	-	12	8	712
GN 45-60-M16-250-D1-*	60	M 16	250	13	2.5	17	-	65	50	15	2	12	8	723
GN 45-60-M16-250-D3-*	60	M 16	250	13	2.5	17	4.5	65	50	15	-	12	8	731
GN 45-80-M16-75-D0-*	80	M 16	75	13	3	18	-	85	70	15	-	12	8	290
GN 45-80-M16-75-D1-*	80	M 16	75	13	3	18	-	85	70	15	2	12	8	305
GN 45-80-M16-75-D3-*	80	M 16	75	13	3	18	5	85	70	15	-	12	8	328
GN 45-80-M16-100-D0-*	80	M 16	100	13	3	18	-	85	70	15	-	12	8	323
GN 45-80-M16-100-D1-*	80	M 16	100	13	3	18	-	85	70	15	2	12	8	338
GN 45-80-M16-100-D3-*	80	M 16	100	13	3	18	5	85	70	15	-	12	8	361
GN 45-80-M16-125-D0-*	80	M 16	125	13	3	18	-	85	70	15	-	12	14	356
GN 45-80-M16-125-D1-*	80	M 16	125	13	3	18	-	85	70	15	2	12	14	371
GN 45-80-M16-125-D3-*	80	M 16	125	13	3	18	5	85	70	15	-	12	14	394
GN 45-80-M16-150-D0-*	80	M 16	150	13	3	18	-	85	70	15	-	12	14	392
GN 45-80-M16-150-D1-*	80	M 16	150	13	3	18	-	85	70	15	2	12	14	407
GN 45-80-M16-150-D3-*	80	M 16	150	13	3	18	5	85	70	15	-	12	14	430
GN 45-80-M16-200-D0-*	80	M 16	200	13	3	18	-	85	70	15	-	12	14	455
GN 45-80-M16-200-D1-*	80	M 16	200	13	3	18	-	85	70	15	2	12	14	470
GN 45-80-M16-200-D3-*	80	M 16	200	13	3	18	5	85	70	15	-	12	14	493
GN 45-80-M16-250-D0-*	80	M 16	250	13	3	18	-	85	70	15	-	12	14	794
GN 45-80-M16-250-D1-*	80	M 16	250	13	3	18	-	85	70	15	2	12	14	809
GN 45-80-M16-250-D3-*	80	M 16	250	13	3	18	5	85	70	15	-	12	14	832
GN 45-80-M20-75-D0-*	80	M 20	75	13	3	19	-	85	70	15	-	15	16	354
GN 45-80-M20-75-D1-*	80	M 20	75	13	3	19	-	85	70	15	2	15	16	371
GN 45-80-M20-75-D3-*	80	M 20	75	13	3	19	5	85	70	15	-	15	16	390
GN 45-80-M20-100-D0-*	80	M 20	100	13	3	19	-	85	70	15	-	15	16	406

Weight version S



Leveling elements 11



\* Complete with  
**S** without nut      **SK** with nut

GN 45-S/SK

STAINLESS STEEL

Description	d1	d2	l1	d3	h1	h3	h6	l8	m	r	s	A/F1	Static Load in kN	⚖️
GN 45-60-M12-80-D1-*	60	M 12	80	13	2.5	11	-	65	50	15	2	17	16	175
GN 45-60-M12-80-D3-*	60	M 12	80	13	2.5	11	4.5	65	50	15	-	17	16	184
GN 45-60-M12-100-D0-*	60	M 12	100	13	2.5	11	-	65	50	15	-	17	16	178
GN 45-60-M12-100-D1-*	60	M 12	100	13	2.5	11	-	65	50	15	2	17	16	189
GN 45-60-M12-100-D3-*	60	M 12	100	13	2.5	11	4.5	65	50	15	-	17	16	198
GN 45-60-M12-125-D0-*	60	M 12	125	13	2.5	11	-	65	50	15	-	17	16	196
GN 45-60-M12-125-D1-*	60	M 12	125	13	2.5	11	-	65	50	15	2	17	16	207
GN 45-60-M12-125-D3-*	60	M 12	125	13	2.5	11	4.5	65	50	15	-	17	16	217
GN 45-80-M8-40-D0-*	80	M 8	40	13	3	12	-	85	70	15	-	15	8	203
GN 45-80-M8-40-D1-*	80	M 8	40	13	3	12	-	85	70	15	2	15	8	220
GN 45-80-M8-40-D3-*	80	M 8	40	13	3	12	5	85	70	15	-	15	8	242
GN 45-80-M8-50-D0-*	80	M 8	50	13	3	12	-	85	70	15	-	15	8	206
GN 45-80-M8-50-D1-*	80	M 8	50	13	3	12	-	85	70	15	2	15	8	223
GN 45-80-M8-50-D3-*	80	M 8	50	13	3	12	5	85	70	15	-	15	8	246
GN 45-80-M8-63-D0-*	80	M 8	63	13	3	12	-	85	70	15	-	15	8	210
GN 45-80-M8-63-D1-*	80	M 8	63	13	3	12	-	85	70	15	2	15	8	227
GN 45-80-M8-63-D3-*	80	M 8	63	13	3	12	5	85	70	15	-	15	8	249
GN 45-80-M10-50-D0-*	80	M 10	50	13	3	12	-	85	70	15	-	15	14	215
GN 45-80-M10-50-D1-*	80	M 10	50	13	3	12	-	85	70	15	2	15	14	232
GN 45-80-M10-50-D3-*	80	M 10	50	13	3	12	5	85	70	15	-	15	14	254
GN 45-80-M10-60-D0-*	80	M 10	60	13	3	12	-	85	70	15	-	15	14	219
GN 45-80-M10-60-D1-*	80	M 10	60	13	3	12	-	85	70	15	2	15	14	236
GN 45-80-M10-60-D3-*	80	M 10	60	13	3	12	5	85	70	15	-	15	14	259
GN 45-80-M10-80-D0-*	80	M 10	80	13	3	12	-	85	70	15	-	15	14	229
GN 45-80-M10-80-D1-*	80	M 10	80	13	3	12	-	85	70	15	2	15	14	246
GN 45-80-M10-80-D3-*	80	M 10	80	13	3	12	5	85	70	15	-	15	14	269
GN 45-80-M10-100-D0-*	80	M 10	100	13	3	12	-	85	70	15	-	19	14	239
GN 45-80-M10-100-D1-*	80	M 10	100	13	3	12	-	85	70	15	2	19	14	256
GN 45-80-M10-100-D3-*	80	M 10	100	13	3	12	5	85	70	15	-	19	14	279
GN 45-80-M12-60-D0-*	80	M 12	60	13	3	12	-	85	70	15	-	19	20	240
GN 45-80-M12-60-D1-*	80	M 12	60	13	3	12	-	60	45	15	-	19	20	249
GN 45-80-M12-60-D3-*	80	M 12	60	13	3	12	-	60	45	15	2	19	20	272
GN 45-80-M12-80-D0-*	80	M 12	80	13	3	12	4	60	45	15	-	19	20	220
GN 45-80-M12-80-D1-*	80	M 12	80	13	3	12	-	65	50	15	-	19	20	264
GN 45-80-M12-80-D3-*	80	M 12	80	13	3	12	-	65	50	15	2	19	20	286
GN 45-80-M12-100-D0-*	80	M 12	100	13	3	12	4.5	65	50	15	-	19	20	300
GN 45-80-M12-100-D1-*	80	M 12	100	13	3	12	-	65	50	15	-	19	20	278
GN 45-80-M12-100-D3-*	80	M 12	100	13	3	12	-	65	50	15	2	19	20	300
GN 45-80-M12-125-D0-*	80	M 12	125	13	3	12	4.5	65	50	15	-	19	20	319
GN 45-80-M12-125-D1-*	80	M 12	125	13	3	12	-	65	50	15	-	19	20	296
GN 45-80-M12-125-D3-*	80	M 12	125	13	3	12	-	65	50	15	2	19	20	319

Weight version S



\* Complete with  
**T** without nut      **TK** with nut

### GN 45-T/TK

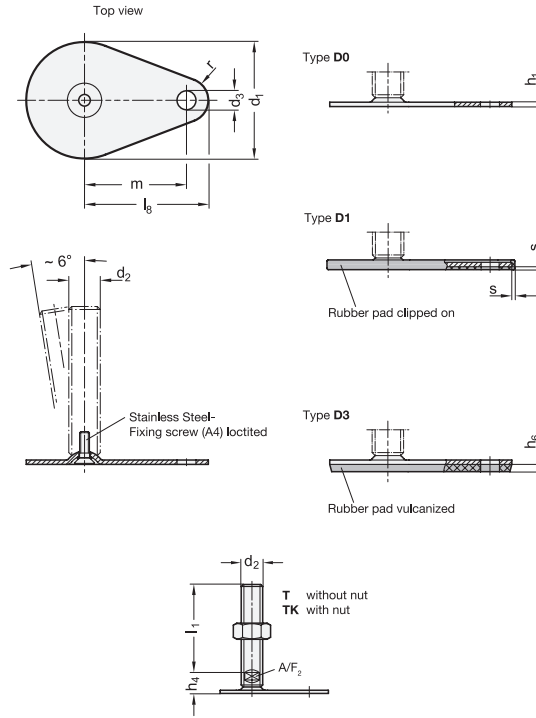
**STAINLESS STEEL**

Description	d1	d2	l1	d3	h1	h4	h6	l8	m	r	s	A/F2	Static Load in kN	⚖️
GN 45-50-M16-75-D0-*	50	M 16	75	13	2.5	17	-	60	45	15	-	12	14	189
GN 45-50-M16-75-D1-*	50	M 16	75	13	2.5	17	-	60	45	15	2	12	14	198
GN 45-50-M16-75-D3-*	50	M 16	75	13	2.5	17	4	60	45	15	-	12	14	202
GN 45-50-M16-100-D0-*	50	M 16	100	13	2.5	17	-	60	45	15	-	12	14	222
GN 45-50-M16-100-D1-*	50	M 16	100	13	2.5	17	-	60	45	15	2	12	14	231
GN 45-50-M16-100-D3-*	50	M 16	100	13	2.5	17	4	60	45	15	-	12	14	234
GN 45-50-M16-125-D0-*	50	M 16	125	13	2.5	17	-	60	45	15	-	12	14	255
GN 45-50-M16-125-D1-*	50	M 16	125	13	2.5	17	-	60	45	15	2	12	14	264
GN 45-50-M16-125-D3-*	50	M 16	125	13	2.5	17	4	60	45	15	-	12	14	268
GN 45-50-M16-150-D0-*	50	M 16	150	13	2.5	17	-	60	45	15	-	12	14	291
GN 45-50-M16-150-D1-*	50	M 16	150	13	2.5	17	-	60	45	15	2	12	14	300
GN 45-50-M16-150-D3-*	50	M 16	150	13	2.5	17	4	60	45	15	-	12	14	303
GN 45-50-M16-200-D0-*	50	M 16	200	13	2.5	17	-	60	45	15	-	12	14	453
GN 45-50-M16-200-D1-*	50	M 16	200	13	2.5	17	-	60	45	15	2	12	14	363
GN 45-50-M16-200-D3-*	50	M 16	200	13	2.5	17	4	60	45	15	-	12	14	367
GN 45-50-M16-250-D0-*	50	M 16	250	13	2.5	17	-	60	45	15	-	12	14	792
GN 45-50-M16-250-D1-*	50	M 16	250	13	2.5	17	-	60	45	15	2	12	14	702
GN 45-50-M16-250-D3-*	50	M 16	250	13	2.5	17	4	60	45	15	-	12	14	706
GN 45-60-M16-75-D0-*	60	M 16	75	13	2.5	17	-	65	50	15	-	12	16	207
GN 45-60-M16-75-D1-*	60	M 16	75	13	2.5	17	-	65	50	15	2	12	16	218
GN 45-60-M16-75-D3-*	60	M 16	75	13	2.5	17	4.5	65	50	15	-	12	16	227
GN 45-60-M16-100-D0-*	60	M 16	100	13	2.5	17	-	65	50	15	-	12	16	248
GN 45-60-M16-100-D1-*	60	M 16	100	13	2.5	17	-	65	50	15	2	12	16	251
GN 45-60-M16-100-D3-*	60	M 16	100	13	2.5	17	4.5	65	50	15	-	12	16	260
GN 45-60-M16-125-D0-*	60	M 16	125	13	2.5	17	-	65	50	15	-	12	16	273
GN 45-60-M16-125-D1-*	60	M 16	125	13	2.5	17	-	65	50	15	2	12	16	285
GN 45-60-M16-125-D3-*	60	M 16	125	13	2.5	17	4.5	65	50	15	-	12	16	293
GN 45-60-M16-150-D0-*	60	M 16	150	13	2.5	17	-	65	50	15	-	12	16	309
GN 45-60-M16-150-D1-*	60	M 16	150	13	2.5	17	-	65	50	15	2	12	16	320
GN 45-60-M16-150-D3-*	60	M 16	150	13	2.5	17	4.5	65	50	15	-	12	16	329
GN 45-60-M16-200-D0-*	60	M 16	200	13	2.5	17	-	65	50	15	-	12	16	372
GN 45-60-M16-200-D1-*	60	M 16	200	13	2.5	17	-	65	50	15	2	12	16	384
GN 45-60-M16-200-D3-*	60	M 16	200	13	2.5	17	4.5	65	50	15	-	12	16	392
GN 45-60-M16-250-D0-*	60	M 16	250	13	2.5	17	-	65	50	15	-	12	16	712
GN 45-60-M16-250-D1-*	60	M 16	250	13	2.5	17	-	65	50	15	2	12	16	723
GN 45-60-M16-250-D3-*	60	M 16	250	13	2.5	17	4.5	65	50	15	-	12	16	731
GN 45-80-M16-75-D0-*	80	M 16	75	13	3	18	-	85	70	15	-	12	20	290
GN 45-80-M16-75-D1-*	80	M 16	75	13	3	18	-	85	70	15	2	12	20	305
GN 45-80-M16-75-D3-*	80	M 16	75	13	3	18	5	85	70	15	-	12	20	328
GN 45-80-M16-100-D0-*	80	M 16	100	13	3	18	-	85	70	15	-	12	20	323
GN 45-80-M16-100-D1-*	80	M 16	100	13	3	18	-	85	70	15	2	12	20	338
GN 45-80-M16-100-D3-*	80	M 16	100	13	3	18	5	85	70	15	-	12	20	361
GN 45-80-M16-125-D0-*	80	M 16	125	13	3	18	-	85	70	15	-	12	20	356
GN 45-80-M16-125-D1-*	80	M 16	125	13	3	18	-	85	70	15	2	12	20	371
GN 45-80-M16-125-D3-*	80	M 16	125	13	3	18	5	85	70	15	-	12	20	394
GN 45-80-M16-150-D0-*	80	M 16	150	13	3	18	-	85	70	15	-	12	20	392
GN 45-80-M16-150-D1-*	80	M 16	150	13	3	18	-	85	70	15	2	12	20	407
GN 45-80-M16-150-D3-*	80	M 16	150	13	3	18	5	85	70	15	-	12	20	430
GN 45-80-M16-200-D0-*	80	M 16	200	13	3	18	-	85	70	15	-	12	20	455
GN 45-80-M16-200-D1-*	80	M 16	200	13	3	18	-	85	70	15	2	12	20	470
GN 45-80-M16-200-D3-*	80	M 16	200	13	3	18	5	85	70	15	-	12	20	493
GN 45-80-M16-250-D0-*	80	M 16	250	13	3	18	-	85	70	15	-	12	20	794
GN 45-80-M16-250-D1-*	80	M 16	250	13	3	18	-	85	70	15	2	12	20	809
GN 45-80-M16-250-D3-*	80	M 16	250	13	3	18	5	85	70	15	-	12	20	832
GN 45-80-M20-75-D0-*	80	M 20	75	13	3	19	-	85	70	15	-	15	20	354
GN 45-80-M20-75-D1-*	80	M 20	75	13	3	19	-	85	70	15	2	15	20	371
GN 45-80-M20-75-D3-*	80	M 20	75	13	3	19	5	85	70	15	-	15	20	390
GN 45-80-M20-100-D0-*	80	M 20	100	13	3	19	-	85	70	15	-	15	20	406

Weight version T



Leveling elements 11



\* Complete with  
**T** without nut      **TK** with nut

GN 45-T/TK

STAINLESS STEEL

Description	d1	d2	l1	d3	h1	h4	h6	l8	m	r	s	A/F2	Static Load in kN	⚖️
GN 45-80-M20-100-D1-*	80	M 20	100	13	3	19	-	85	50	15	2	15	20	423
GN 45-80-M20-100-D3-*	80	M 20	100	13	3	19	5	85	50	15	-	15	20	442
GN 45-80-M20-125-D0-*	80	M 20	125	13	3	19	-	85	50	15	-	15	20	455
GN 45-80-M20-125-D1-*	80	M 20	125	13	3	19	-	85	50	15	2	15	20	474
GN 45-80-M20-125-D3-*	80	M 20	125	13	3	19	5	85	50	15	-	15	20	493
GN 45-80-M20-150-D0-*	80	M 20	150	13	3	19	-	85	50	15	-	15	20	510
GN 45-80-M20-150-D1-*	80	M 20	150	13	3	19	-	85	50	15	2	15	20	529
GN 45-80-M20-150-D3-*	80	M 20	150	13	3	19	5	85	50	15	-	15	20	548
GN 45-80-M20-200-D0-*	80	M 20	200	13	3	19	-	85	70	15	-	15	20	610
GN 45-80-M20-200-D1-*	80	M 20	200	13	3	19	-	85	70	15	2	15	20	629
GN 45-80-M20-200-D3-*	80	M 20	200	13	3	19	5	85	70	15	-	15	20	648
GN 45-80-M20-250-D0-*	80	M 20	250	13	3	19	-	85	70	15	-	15	20	1143
GN 45-80-M20-250-D1-*	80	M 20	250	13	3	19	-	85	70	15	2	15	20	1162
GN 45-80-M20-250-D3-*	80	M 20	250	13	3	19	5	85	70	15	-	15	20	1181
GN 45-80-M24-100-D0-*	80	M 24	100	13	3	22	-	85	70	15	-	19	22	550
GN 45-80-M24-100-D1-*	80	M 24	100	13	3	22	-	85	70	15	2	19	22	533
GN 45-80-M24-100-D3-*	80	M 24	100	13	3	22	5	85	70	15	-	19	22	550
GN 45-80-M24-125-D0-*	80	M 24	125	13	3	22	-	85	70	15	-	19	22	625
GN 45-80-M24-125-D1-*	80	M 24	125	13	3	22	-	85	70	15	2	19	22	608
GN 45-80-M24-125-D3-*	80	M 24	125	13	3	22	5	85	70	15	-	19	22	625
GN 45-80-M24-150-D0-*	80	M 24	150	13	3	22	-	85	70	15	-	19	22	700
GN 45-80-M24-150-D1-*	80	M 24	150	13	3	22	-	85	70	15	2	19	22	683
GN 45-80-M24-150-D3-*	80	M 24	150	13	3	22	5	85	70	15	-	19	22	700
GN 45-80-M24-200-D0-*	80	M 24	200	13	3	22	-	85	70	15	-	19	22	850
GN 45-80-M24-200-D1-*	80	M 24	200	13	3	22	-	85	70	15	2	19	22	833
GN 45-80-M24-200-D3-*	80	M 24	200	13	3	22	5	85	70	15	-	19	22	850
GN 45-80-M24-300-D0-*	80	M 24	300	13	3	22	-	85	70	15	-	19	22	1783
GN 45-80-M24-300-D1-*	80	M 24	300	13	3	22	-	85	70	15	2	19	22	1766
GN 45-80-M24-300-D3-*	80	M 24	300	13	3	22	5	85	70	15	-	19	22	1783

Weight version T

